

OVERVIEW

The C16138 series is DA type socket assemblies designed for metal package photomultiplier tube R9880U. A voltage-divider circuit and an amplifier are incorporated in the same package.

The photomultiplier tube's low-level, high-impedance current can be converted into a low-impedance voltage output. The C16138 series is compact and you can choose the product that best suits your application from the frequency bands of 200 kHz, 2 MHz and 20 MHz.



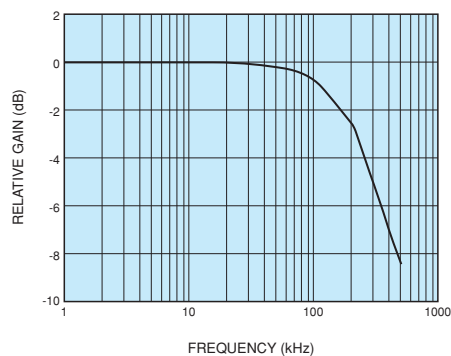
SPECIFICATIONS

| Parameter | | C16138-01 | C16138-02 | C16138-03 | Unit |
|-------------------------------|--|---------------------------------------|-------------|---------------------------------------|-------|
| Amplifier | Input voltage | ±5 | | | V |
| | Maximum input voltage | ±5.5 | | | V |
| | Maximum input current | ±65 | | | mA |
| | Frequency bandwidth (-3 dB) | DC to 200 kHz | DC to 2 MHz | DC to 20 MHz | — |
| | Current to voltage conversion factor | 0.6 ^① / 0.3 ^② | | 0.06 ^① / 0.03 ^② | V/μA |
| | Maximum output signal voltage | +3.5 ^① / +1.6 ^② | | | V |
| | Offset voltage Max. | ±2 ^① / ±1 ^② | | | mV |
| | Output noise voltage Typ. ^② | 0.2 | 1 | | mVrms |
| Voltage-divider circuit | Recommended supply voltage | -500 to -1000 | | | V |
| | Maximum supply voltage | -1100 | | | V |
| | Divider current | 289 ^③ | | | μA |
| Operating ambient temperature | | 0 to +40 ^④ | | | °C |
| Storage temperature | | -15 to +60 ^④ | | | °C |
| Weight | | 4.4 | | | g |

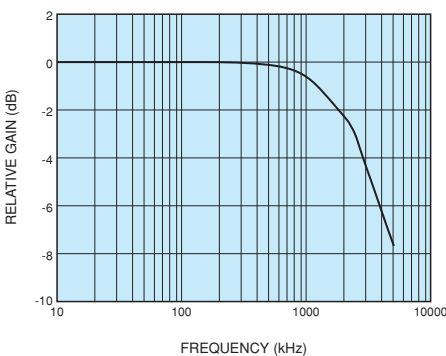
NOTE: ①Load resistance = 10 kΩ ②Load resistance = 50 Ω ③-HV = -1000 V ④No condensation

Figure 1: Frequency response of built-in amplifier

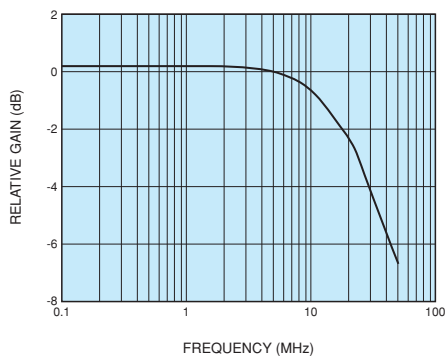
●C16138-01



●C16138-02



●C16138-03



DA TYPE SOCKET ASSEMBLY C16138 SERIES

Figure 2: Circuit diagram

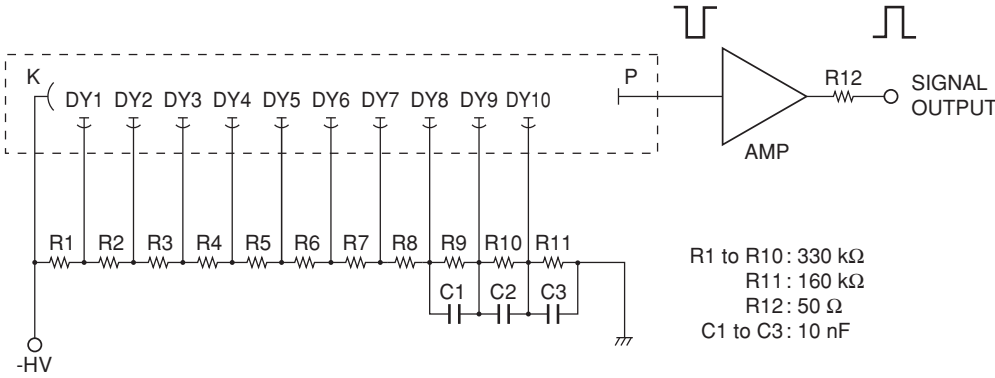
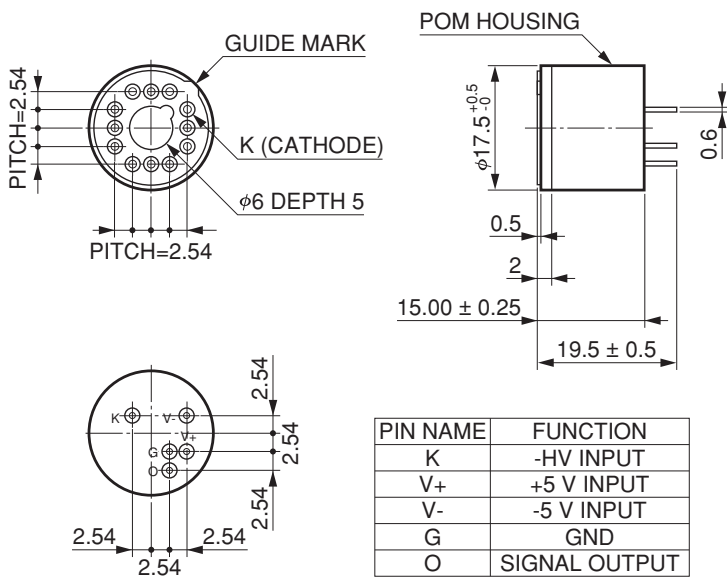


Figure 3: Dimensional outline (Unit: mm)

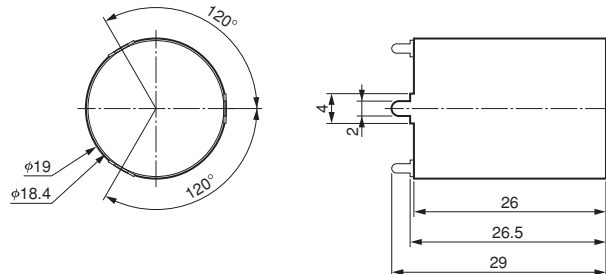


OPTION

Housing A16158-01

It reduces the noise radiated from the C16138 series and reduces the influence of noise radiated from electronic components mounted in the vicinity.

Dimensional outline (Unit: mm)



HAMAMATSU PHOTONICS K.K. www.hamamatsu.com

Electron Tube Division

314-5, Shimokanzo, Iwata City, Shizuoka Pref., 438-0193, Japan, Telephone: (81)539/62-5248, Fax: (81)539/62-2205

U.S.A.: Hamamatsu Corporation: 360 Foothill Road, Bridgewater, NJ 08807, U.S.A., Telephone: (1)908-231-0960, Fax: (1)908-231-1218 E-mail: usa@hamamatsu.com

Germany: Hamamatsu Photonics Deutschland GmbH: Arzbergerstr. 10, 82211 Herrsching am Ammersee, Germany, Telephone: (49)8152-375-0, Fax: (49)8152-265-6 E-mail: info@hamamatsu.de

France: Hamamatsu Photonics France S.A.R.L.: 19, Rue du Saule Trapu, Parc du Moulin de Massy, 91882 Massy Cedex, France, Telephone: (33)1 69 53 71 00, Fax: (33)1 69 53 71 10 E-mail: infos@hamamatsu.fr

United Kingdom: Hamamatsu Photonics UK Limited: 2 Howard Court, 10 Tewin Road, Welwyn Garden City, Hertfordshire AL7 1BW, UK, Telephone: (44)1707-294888, Fax: (44)1707-325777 E-mail: info@hamamatsu.co.uk

North Europe: Hamamatsu Photonics Norden AB: Torshamnsgatan 35 16440 Kista, Sweden, Telephone: (46)8-509 031 00, Fax: (46)8-509 031 01 E-mail: info@hamamatsu.se

Italy: Hamamatsu Photonics Italia S.r.l.: Strada della Moia, 1 int. 6, 20044 Arese (Milano), Italy, Telephone: (39)02-93 58 17 33, Fax: (39)02-93 58 17 41 E-mail: info@hamamatsu.it

China: Hamamatsu Photonics (China) Co., Ltd.: 1201 Tower B, Jiaming Center, 27 Dongsanhuan Beilu, Chaoyang District, 100020 Beijing, P.R. China, Telephone: (86)10-6586-6006, Fax: (86)10-6586-2866 E-mail: hpc@hamamatsu.com.cn

Taiwan: Hamamatsu Photonics Taiwan Co., Ltd.: 8F-3, No.158, Section 2, Gongdao 5th Road, East District, Hsinchu, 300, Taiwan R.O.C. Telephone: (886)3-659-0080, Fax: (886)3-659-0081 E-mail: info@hamamatsu.com.tw

TACC1089E02
 NOV. 2021 IP