

■ **Features**

- Coaxial observation
- Coaxial temperature measurement (2color method available)
- Position locking with functioning



DDL coaxial unit A15185-111

■ **Outline**

This is a coaxial unit to be mounted on a Direct Diode Laser (hereinafter "DDL") equipped with irradiation unit A14132 series. The DDL coaxial unit A15185-111 can be equipped with thermometers and CCD cameras for coaxial thermal measurement and coaxial observation.

* The thermometer and CCD camera must be prepared separately by the customer.

■ **Series configuration**

Product name	Type no.	Specification
DDL coaxial unit	A15185-111	Coaxial temperature measurement, coaxial observation supported
	A15185-11N	Coaxial temperature measurement supported
Expansion unit	A15185-000-B	Coaxial observation supported

DDL coaxial unit A15185-111



=

DDL coaxial unit A15185-11N



+

Expansion unit A15185-000-B



DDL Coaxial Unit A15185 series

■ General specification

Parameter	Value	Unit
Operating temperature	+5 to +40	°C
Storage temperature *1 *2	0 to +50	°C
Recommended storage temperature *3	+5 to +30	°C
Relative operating humidity *4	≤60	%

*1 Drain water from the DDL coaxial unit if there is a possibility of freezing.

*2 Temperature considering non-operation and transportation after installation in equipment, etc.

*3 The temperature at which this product is to be stored prior to installation in equipment, etc.

*4 No condensation

■ Specification

● DDL coaxial unit

Parameter	Value		Unit
	A15185-11N	A15185-111	
Operation mode	CW		—
Wavelength range	940 ± 40		nm
Maximum Incident light power	3		kW
Laser beam transmission efficiency	≥90		%
Cooling	Water cooling		—
Coolant condition (cooling water inlet)	Conductivity *1	0.5 to 1.2	μS/cm
	Particles	10	μm
	Temperature	+15 to +30	°C
	Pressure	0.7	MPa
	Flow rate	0.6 to 3	L/min
	Compatible hose	Outer diameter Inner diameter	Approx. φ6 Approx. φ4
Expansion unit connection	1.035"-40UNS (female screw)		—
Dimensions (W × H × D)	Approx. 146 × Approx. 79 × Approx. 71	Approx. 206 × Approx. 79 × Approx. 71	mm
Weight	Approx. 1	Approx. 1.3	kg
Protective function	Fall prevention function		—

*1 Distilled water can also be used.

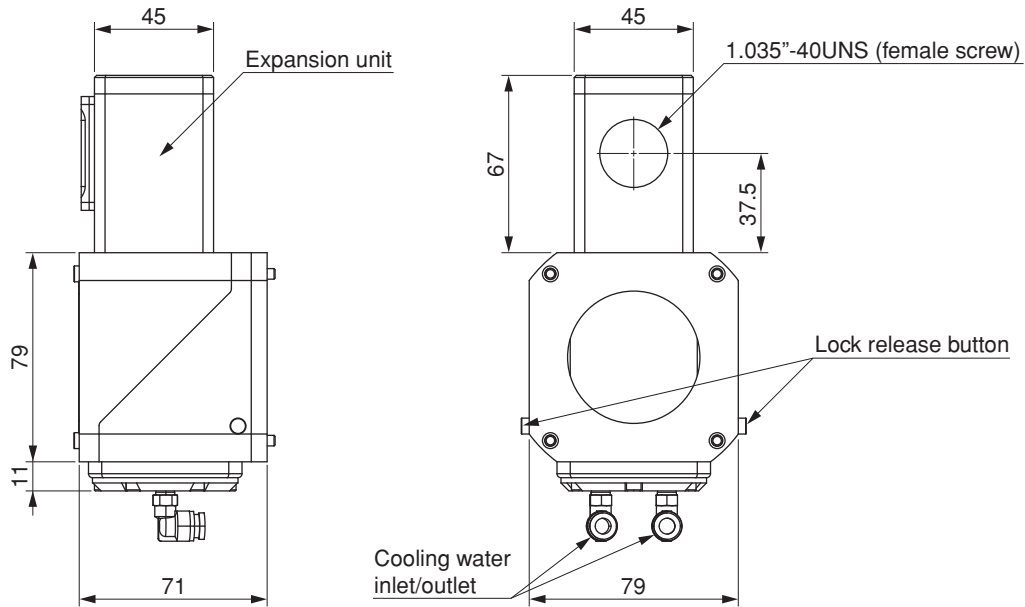
● Expansion unit

Parameter	Value	Unit
Expansion unit connection	1.035"-40UNS (female screw)	—
Dimensions (W × H × D)	Approx. 79 × Approx. 45 × Approx. 45	mm
Weight	Approx. 300	g

DDL Coaxial Unit A15185 series

Figure 1: Dimensions (unit : mm)

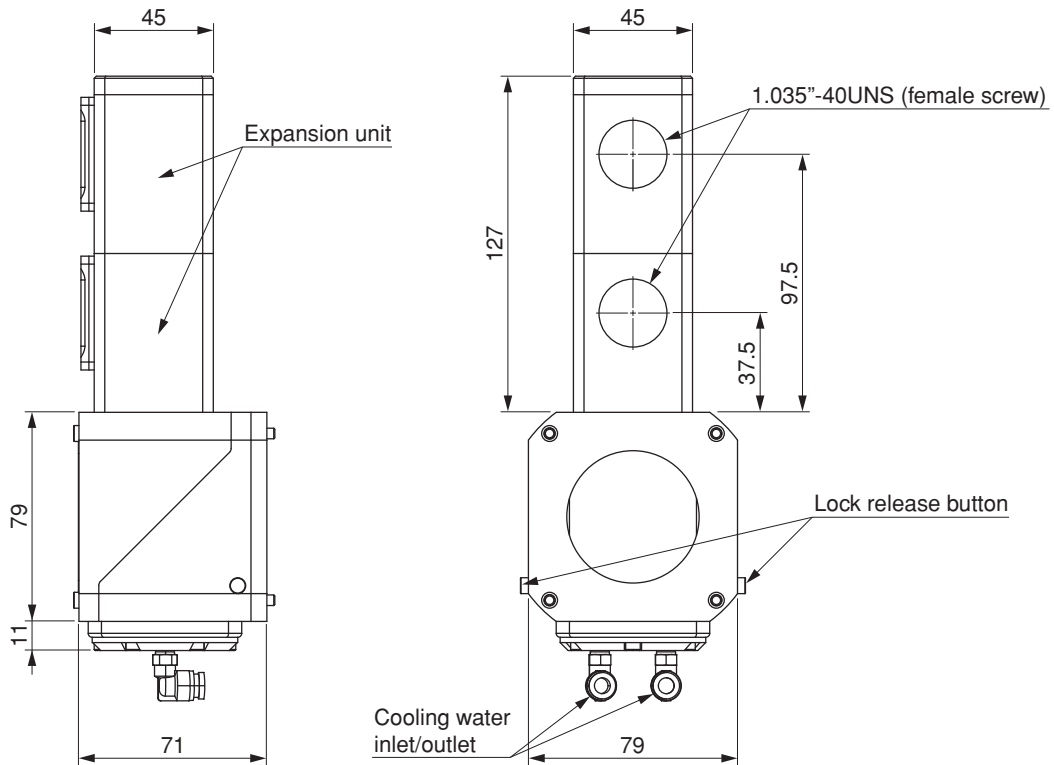
●DDL coaxial unit A15185-11N



* Tolerances without indication are ISO2768-1-m.

LEF3F0009-55-A

●DDL coaxial unit A15185-111

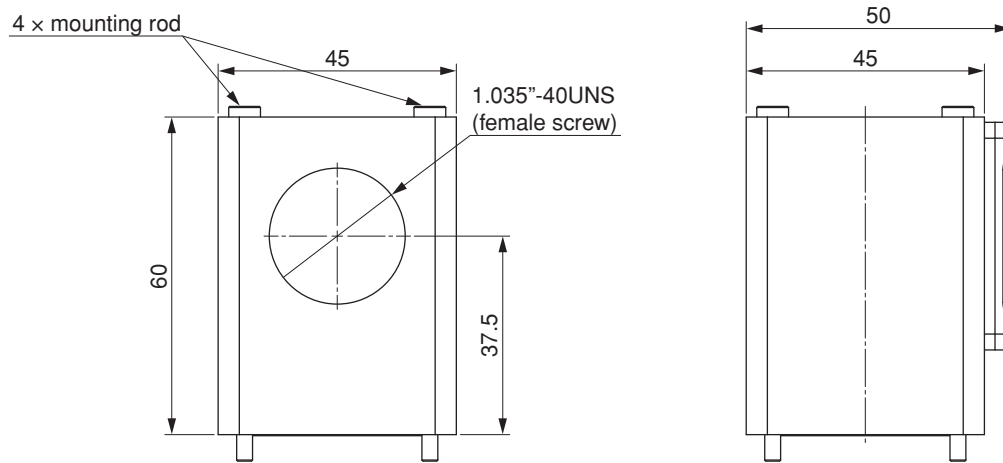


* Tolerances without indication are ISO2768-1-m.

LEF3F0009-56-A

DDL Coaxial Unit A15185 series

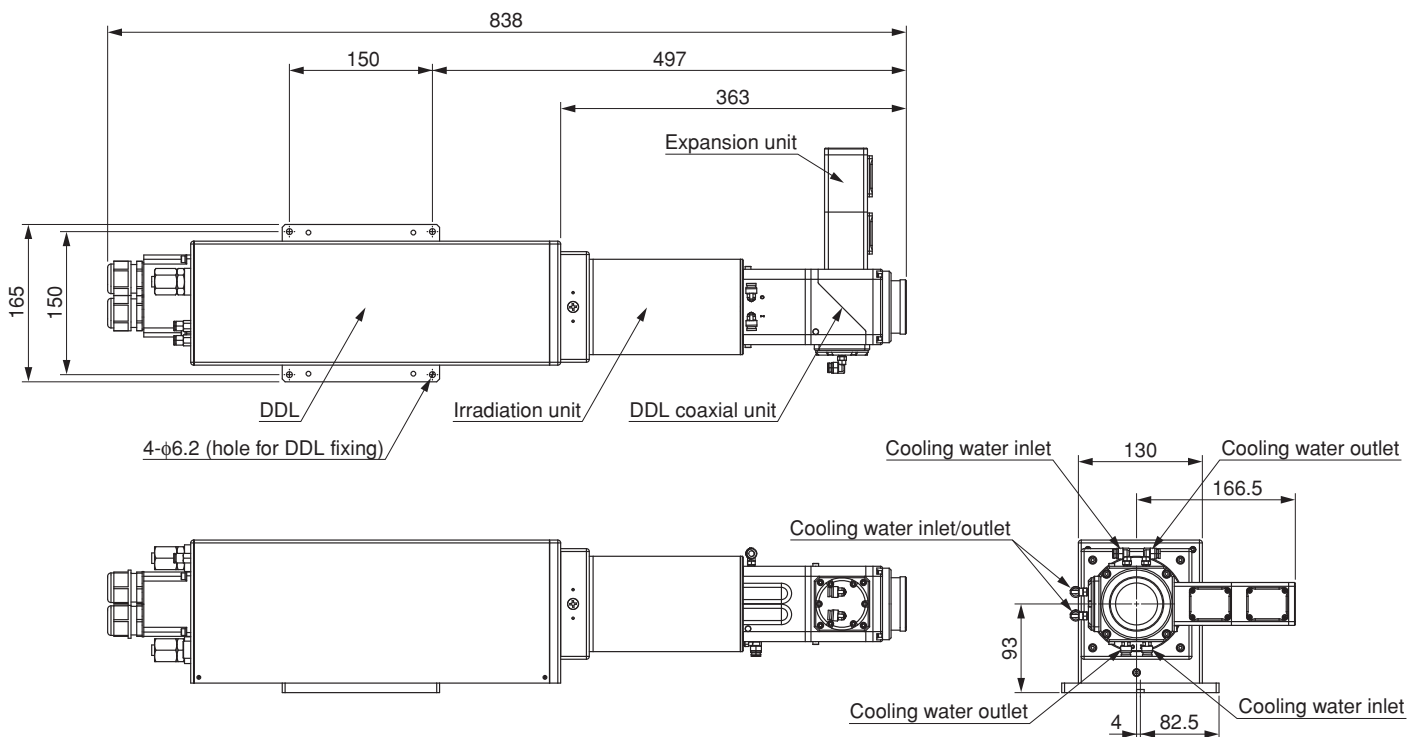
●Expansion unit A15185-000-B



* Tolerances without indication are ISO2768-1-m.

LEF3F0009-57-A

●Mounting diagram on DDL (equipped with DDL coaxial unit A15185-111)



* Tolerances without indication are ISO2768-1-m.

LEF3F0009-58-A

DDL Coaxial Unit A15185 series

●Information described in this material current as of April 2021. Specifications are subject to change without notice.

HAMAMATSU PHOTONICS K.K. www.hamamatsu.com

Laser Promotion Division, Business Promotion G.

1-8-3, Shinmiyakoda, Kita-ku, Hamamatsu City, Shizuoka, 431-2103, Japan, Telephone: (81)53-484-1301, Fax: (81)53-484-1302, E-mail: sales-laser@lpd.hpk.co.jp

U.S.A.: Hamamatsu Corporation: 360 Foothill Road, Bridgewater, NJ 08807, U.S.A., Telephone: (1)908-231-0960, Fax: (1)908-231-1218 E-mail: usa@hamamatsu.com

Germany: Hamamatsu Photonics Deutschland GmbH.: Arzbergerstr. 10, D-82211 Herrsching am Ammersee, Germany, Telephone: (49)8152-375-0, Fax: (49)8152-265-8 E-mail: info@hamamatsu.de

France: Hamamatsu Photonics France S.A.R.L.: 19, Rue du Saule Trapu, Parc du Moulin de Massy, 91882 Massy Cedex, France, Telephone: (33)1 69 53 71 00, Fax: (33)1 69 53 71 10 E-mail: infos@hamamatsu.fr

United Kingdom: Hamamatsu Photonics UK Limited: 2 Howard Court, 10 Tewin Road, Welwyn Garden City, Hertfordshire AL7 1BW, UK, Telephone: (44)1707-294888, Fax: (44)1707-325777 E-mail: info@hamamatsu.co.uk

North Europe: Hamamatsu Photonics Norden AB: Torshammsgatan 35 16440 Kista, Sweden, Telephone: (46)8-509 031 00, Fax: (46)8-509 031 01 E-mail: info@hamamatsu.se

Italy: Hamamatsu Photonics Italia S.r.l.: Strada della Moia, 1 int. 6, 20044 Arese (Milano), Italy, Telephone: (39)02-93 58 17 33, Fax: (39)02-93 58 17 41 E-mail: info@hamamatsu.it

China: Hamamatsu Photonics (China) Co., Ltd.: 1201 Tower B, Jianning Center, 27 Dongsanhuan Beilu, Chaoyang District, 100020 Beijing, P.R. China, Telephone: (86)10-6586-6006, Fax: (86)10-6586-2866 E-mail: hpc@hamamatsu.com.cn

Taiwan: Hamamatsu Photonics Taiwan Co., Ltd.: 8F-3, No.158, Section 2, Gongdao 5th Road, East District, Hsinchu, 300, Taiwan R.O.C. Telephone: (886)3-659-0080, Fax: (886)3-659-0081 E-mail: info@hamamatsu.com.tw

Cat. No. LDDL3010E01
APR. 2021 IP