

**MPPCs for precision measurement**

MPPC is a type of device called SiPM (silicon photomultipliers). It is a new type of photon counting device that consists of multiple Geiger mode APD (avalanche photodiode) pixels. It is an opto-semiconductor with outstanding photon counting capability and low operating voltage and is immune to the effects of magnetic fields.

The S13360 series are MPPCs for precision measurement. The MPPCs inherits the superb low afterpulse characteristics of previous products and further provide lower crosstalk and lower dark count. They are suitable for precision measurement, such as flow cytometry, DNA sequencer, laser microscope, and fluorescence measurement, that requires low noise characteristics.

**Features**

- **Reduced crosstalk and dark count (compared to previous products)**
- **Outstanding photon counting capability (outstanding photon detection efficiency versus numbers of incident photons)**
- **Compact**
- **Operates at room temperature**
- **Low voltage (VBR=53 V typ.) operation**
- **High gain:  $10^5$  to  $10^6$**
- **Excellent time resolution**
- **Immune to the effects of magnetic fields**
- **Operates with simple readout circuit**
- **MPPC module also available (sold separately)**

**Applications**

- **Fluorescence measurement**
- **Laser microscopes**
- **Flow cytometry**
- **DNA sequencers**
- **Environmental analysis**
- **Various academic research**

**Lower noise**

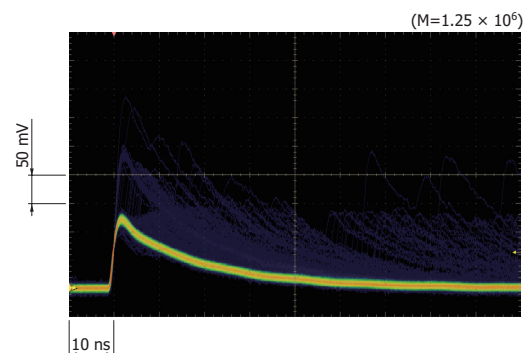
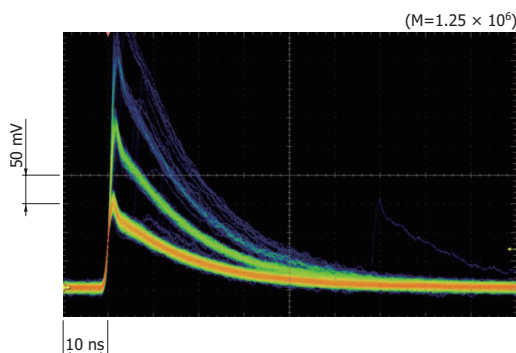
When an MPPC detects photons, the output may contain spurious pulses, namely afterpulse and crosstalk, that are separate from the output pulses of the incident photons. Afterpulses are output later than the timing at which the incident light is received. Crosstalk is output from other pixels at the same time as the detection of light.

Previous products achieved lower afterpulse through the improvement of material and wafer process technology, but with the S13360 series, low crosstalk has been achieved in addition to low afterpulse.

**☑ Pulse waveform comparison (typical example)**

Previous product

Improved product (reference data: S13360-3050PE series)



### Selection guide

Type no.	Pixel pitch (μm)	Effective photosensitive area (mm)	Number of pixels	Package	Fill factor (%)
S13360-1325PE	25	1.3 × 1.3	2668	Glass epoxy	47
S13360-3025CS		3.0 × 3.0	14400	Ceramic	
S13360-3025PE				Glass epoxy	
S13360-6025CS		6.0 × 6.0	57600	Ceramic	
S13360-6025PE				Glass epoxy	
S13360-1350PE	50	1.3 × 1.3	667	Glass epoxy	74
S13360-3050CS		3.0 × 3.0	3600	Ceramic	
S13360-3050PE				Glass epoxy	
S13360-6050CS		6.0 × 6.0	14400	Ceramic	
S13360-6050PE				Glass epoxy	
S13360-1375PE	75	1.3 × 1.3	285	Glass epoxy	82
S13360-3075CS		3.0 × 3.0	1600	Ceramic	
S13360-3075PE				Glass epoxy	
S13360-6075CS		6.0 × 6.0	6400	Ceramic	
S13360-6075PE				Glass epoxy	

### Structure / Absolute maximum ratings

Type no. (package)	Window material	Refractive index of window material	Absolute maximum ratings			
			Operating temperature* <sup>1</sup> T <sub>opr</sub> (°C)	Storage temperature* <sup>1</sup> T <sub>stg</sub> (°C)	Soldering temperature	Reflow soldering temperature T <sub>sol</sub>
S13360-****CS (ceramic)	Silicone resin	1.41	-20 to +60	-20 to +80	350 °C* <sup>2</sup>	-
S13360-****PE (glass epoxy)	Epoxy resin	1.55			-	Peak temperature: 240 °C* <sup>3</sup>

\*1: No condensation

When there is a temperature difference between a product and the surrounding area in high humidity environments, dew condensation may occur on the product surface. Dew condensation may cause deterioration in characteristics and reliability.

\*2: Separate by at least 1 mm from the lead root. 3 seconds or less, once

\*3: See reflow soldering conditions (P.10). up to twice, JEDEC J-STD-020 MSL 5a

Note: Exceeding the absolute maximum ratings even momentarily may cause a drop in product quality. Always be sure to use the product within the absolute maximum ratings.

**Electrical and optical characteristics (Typ. Ta=25 °C, unless otherwise noted)**

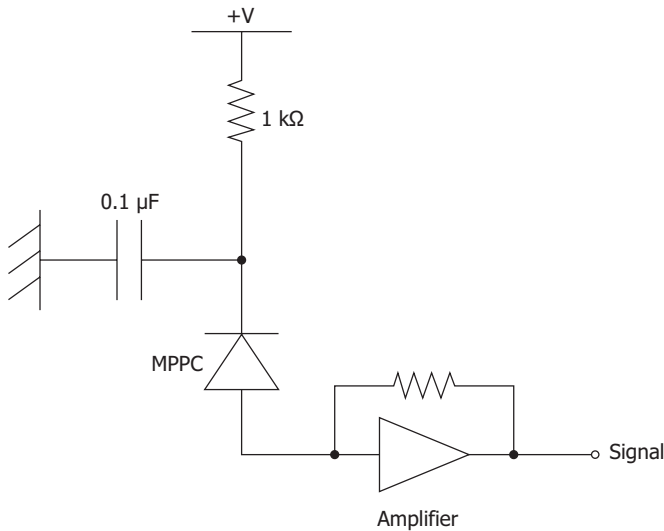
Type no.	Measurement conditions	Spectral response range $\lambda$ (nm)	Peak sensitivity wavelength $\lambda_p$ (nm)	Photon detection efficiency PDE*4 $\lambda=\lambda_p$ (%)	Dark count*5		Terminal capacitance Ct (pF)	Gain M	Breakdown voltage VBR (V)	Crosstalk probability (%)	Recommended operating voltage Vop (V)	Temperature coefficient at recommended operating voltage $\Delta TV_{op}$ (mV/°C)		
					Typ. (kcps)	Max. (kcps)								
S13360-1325PE	Vover =5 V	320 to 900	450	25	70	210	60	$7.0 \times 10^5$	$53 \pm 5$	1	VBR + 5	54		
S13360-3025CS		270 to 900			400	1200	320							
S13360-3025PE		320 to 900			1600	5000	1280							
S13360-6025CS		270 to 900												
S13360-6025PE		320 to 900												
S13360-1350PE	Vover =3 V	320 to 900		40	90	270	60	$1.7 \times 10^6$		$53 \pm 5$	3		VBR + 3	54
S13360-3050CS		270 to 900			500	1500	320							
S13360-3050PE		320 to 900			2000	6000	1280							
S13360-6050CS		270 to 900												
S13360-6050PE		320 to 900												
S13360-1375PE	Vover =3 V	320 to 900		50	90	270	60	$4.0 \times 10^6$		$53 \pm 5$	7		VBR + 3	54
S13360-3075CS		270 to 900			500	1500	320							
S13360-3075PE		320 to 900			2000	6000	1280							
S13360-6075CS		270 to 900												
S13360-6075PE		320 to 900												

\*4: Photon detection efficiency does not include crosstalk or afterpulses.

\*5: Threshold=0.5 p.e.

Note: The above characteristics were measured at the operating voltage that yields the listed gain. (See the data attached to each product.)

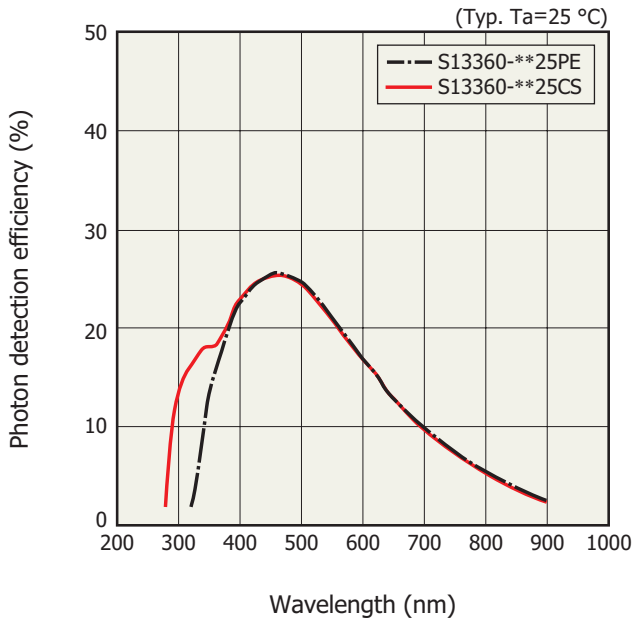
**Connection example**



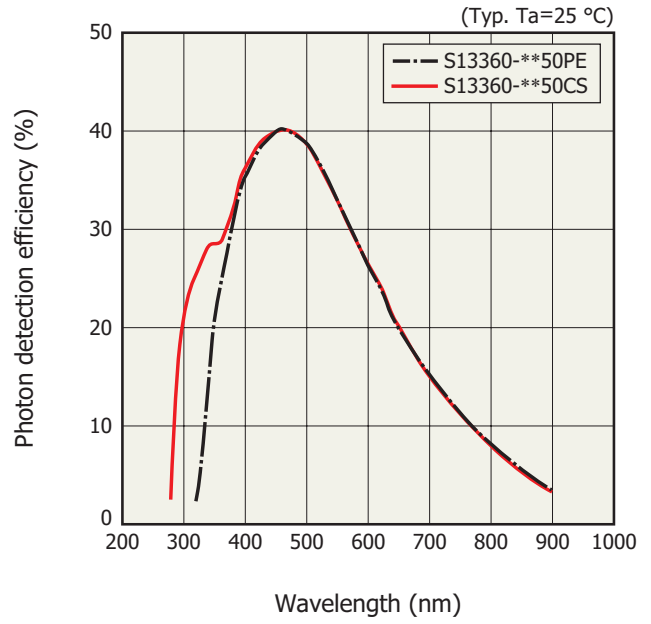
KAPDC0024EB

Photon detection efficiency vs. wavelength (typical example)

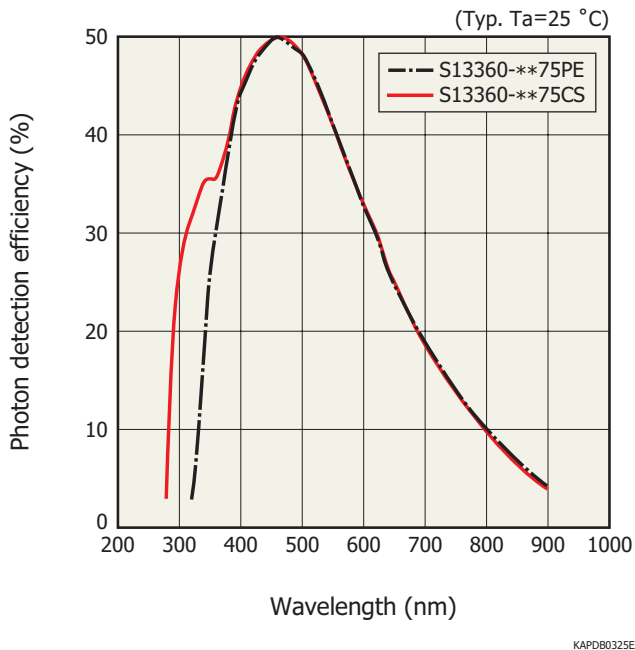
Pixel pitch: 25  $\mu\text{m}$



Pixel pitch: 50  $\mu\text{m}$



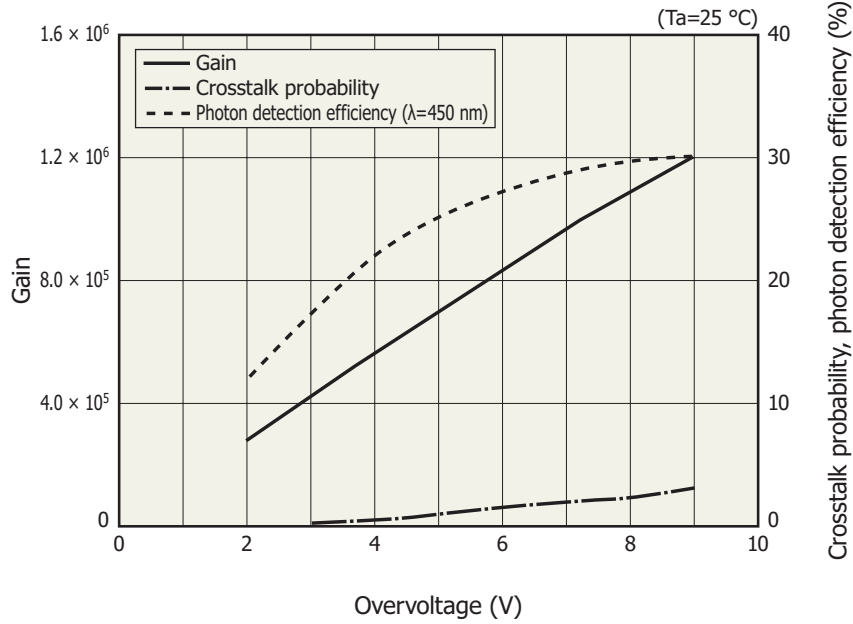
Pixel pitch: 75  $\mu\text{m}$



Photon detection efficiency does not include crosstalk or afterpulses.

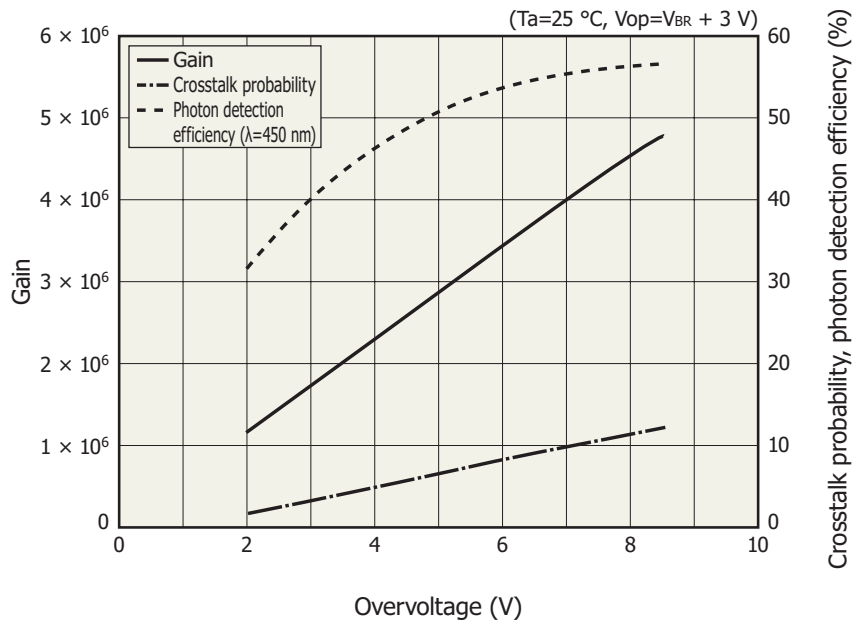
Overvoltage specifications of gain, crosstalk probability, photon detection efficiency (typical example)

Pixel pitch: 25  $\mu\text{m}$



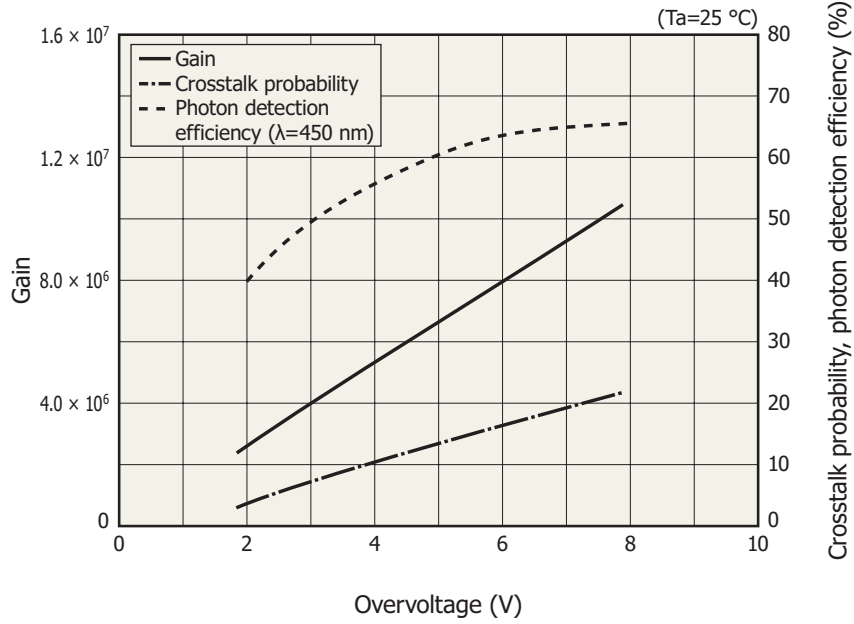
KAPD0323EA

Pixel pitch: 50  $\mu\text{m}$



KAPD0324EA

Pixel pitch: 75  $\mu\text{m}$

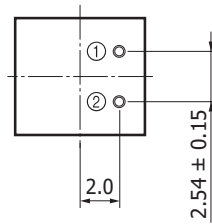
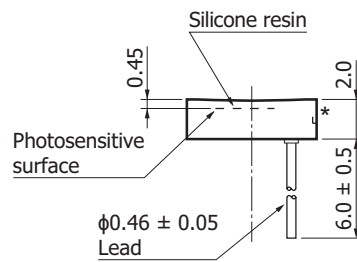
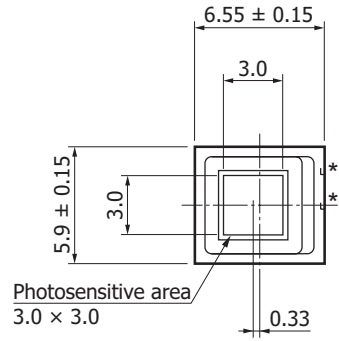


KAPD00326EA

MPPC characteristics vary with the operating voltage. Although increasing the operating voltage improves the photon detection efficiency and time resolution, it also increases the dark count and crosstalk at the same time, so an optimum operating voltage must be selected to match the application.

Dimensional outlines (unit: mm)

S13360-3025CS/-3050CS/-3075CS



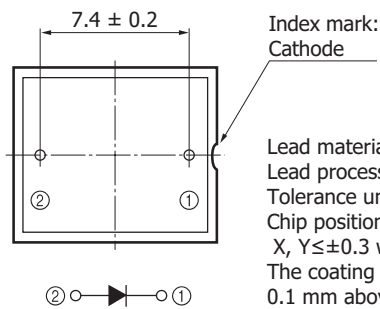
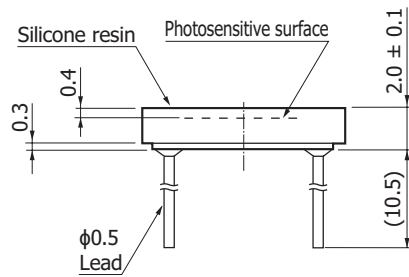
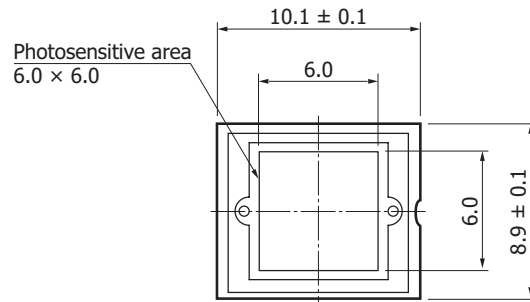
Lead material: Oxygen-free copper  
 Lead processing: Au plating  
 Tolerance unless otherwise noted:  $\pm 0.2$   
 Chip position accuracy:  
 with respect to package center  
 $-0.25 \leq X \leq +0.25$   
 $-0.53 \leq Y \leq -0.13$

The coating resin may extend a maximum of 0.1 mm above the upper surface of the package.

\* Metal electrodes connecting to the internal electrodes are exposed on the sides of the ceramic package. To avoid short circuits, never allow other conductors to come in contact with these metal electrodes.

KAPDA0156EA

S13360-6025CS/-6050CS/-6075CS

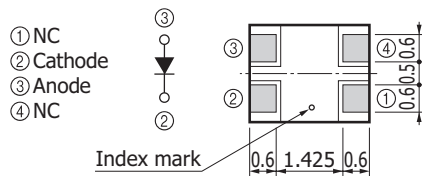
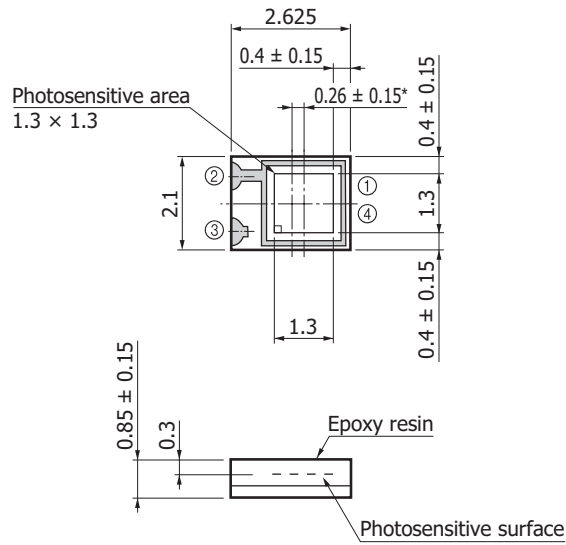


Lead material: Fe-Ni-Co alloy  
 Lead processing: Au plating  
 Tolerance unless otherwise noted:  $\pm 0.2$   
 Chip position accuracy:  
 $X, Y \leq \pm 0.3$  with respect to package center  
 The coating resin may extend a maximum of  
 0.1 mm above the upper surface of the package.

KAPDA0157EC



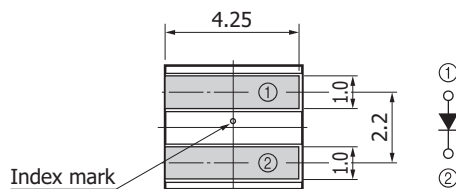
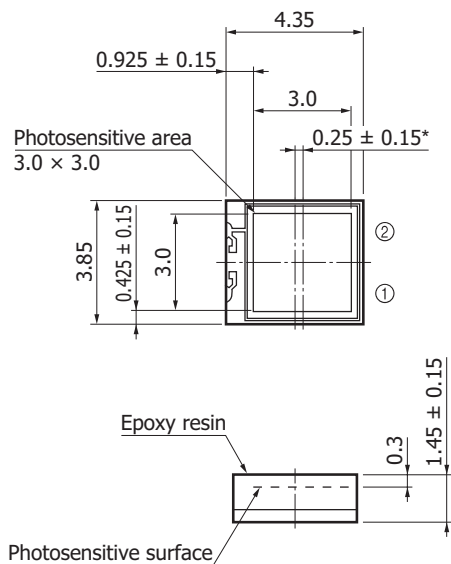
S13360-1325PE/-1350PE/-1375PE



Tolerance unless otherwise noted: ±0.1  
 \* Distance from chip center to package center

KAPDA0158EA

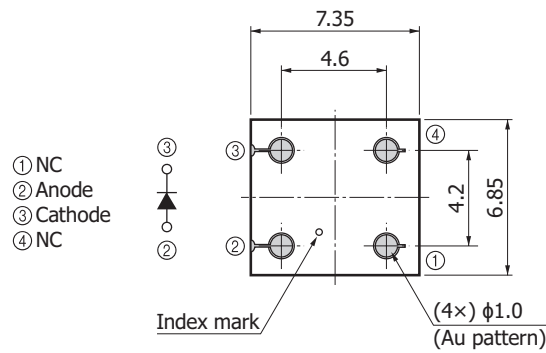
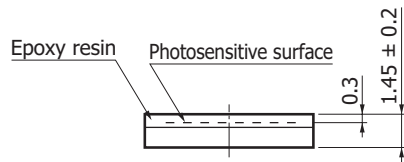
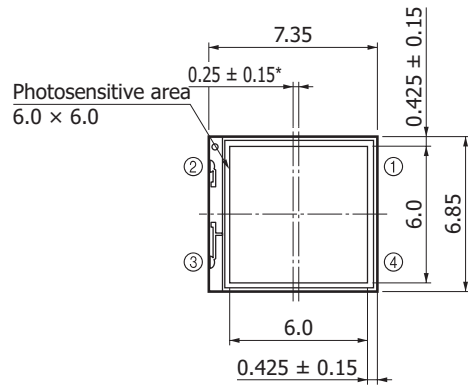
S13360-3025PE/-3050PE/-3075PE



Tolerance unless otherwise noted: ±0.1  
 \* Distance from chip center to package center

KAPDA0159EA

S13360-6025PE/-6050PE/-6075PE



- ① NC
- ② Anode
- ③ Cathode
- ④ NC



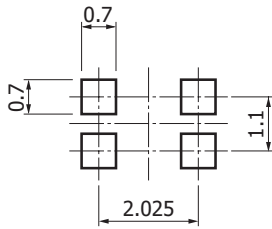
Tolerance unless otherwise noted:  $\pm 0.1$

\* Distance from chip center to package center

KAPDA0153EA

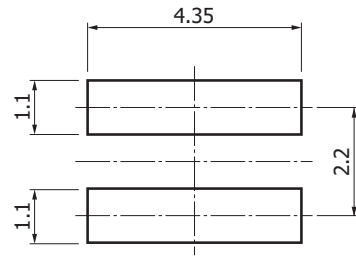
Recommended land pattern (Unit: mm)

S13360-1325PE-1350PE/-1375PE



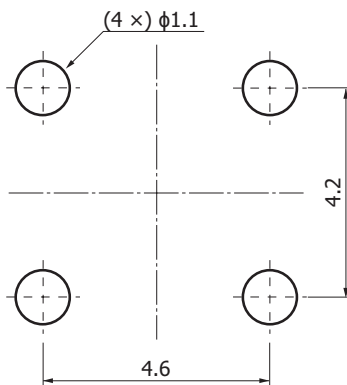
KAPDC0056EA

S13360-3025PE/-3050PE/-3075PE



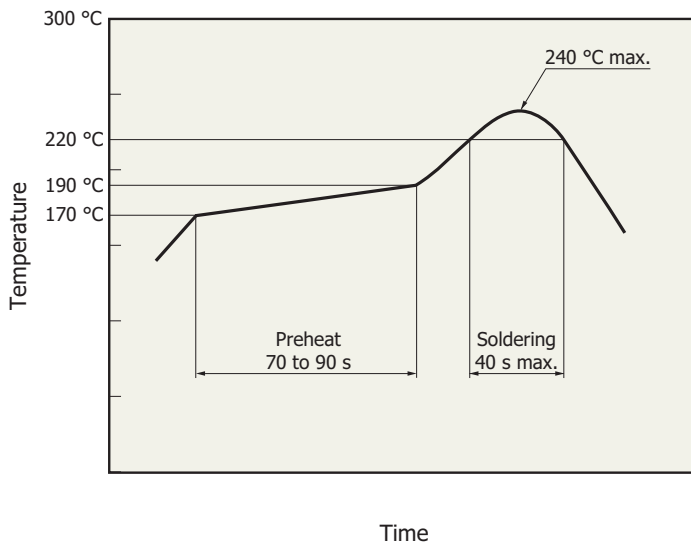
KAPDC0057EA

S13360-6025PE/-6050PE/-6075PE



KAPDC0057EA

Temperature profile measurement example using our experimental hot-air reflow oven (S13360-1350PE)



- This surface mount type package product supports lead-free soldering. After unpacking, store it in an environment at a temperature of 25 °C or less and a humidity of 60% or less, and perform soldering within 24 hours.
- The effect that the product is subject to during reflow soldering varies depending on the circuit board and reflow furnace that are used. Before actual reflow soldering, check for any problems by testing out the reflow soldering methods in advance.

KPICB0171EA

## Baking

If more than 3 months have passed in the unopened state or storage conditions are exceeded after opening the package, baking is required to remove moisture before reflow soldering. For the baking method, refer to the precautions "Surface mount type products".

### Recommended baking conditions

- Temperature: 150 °C, 3 hours, up to twice

Note: Before setting the baking conditions, perform experiments to confirm that no problems occur with the products.

## Precautions

- If necessary, incorporate appropriate protective circuits in power supplies, devices, and measuring instruments to prevent overvoltage and overcurrent.

## Related information

[www.hamamatsu.com/sp/ssd/doc\\_en.html](http://www.hamamatsu.com/sp/ssd/doc_en.html)

### Precautions

- Disclaimer
- Metal, ceramic, plastic package products
- Surface mount type products

### Technical note

- MPPC

MPPC is a registered trademark of Hamamatsu Photonics K.K.

Information described in this material is current as of October 2022.

Product specifications are subject to change without prior notice due to improvements or other reasons. This document has been carefully prepared and the information contained is believed to be accurate. In rare cases, however, there may be inaccuracies such as text errors. Before using these products, always contact us for the delivery specification sheet to check the latest specifications.

The product warranty is valid for one year after delivery and is limited to product repair or replacement for defects discovered and reported to us within that one year period. However, even if within the warranty period we accept absolutely no liability for any loss caused by natural disasters or improper product use. Copying or reprinting the contents described in this material in whole or in part is prohibited without our prior permission.

# HAMAMATSU

[www.hamamatsu.com](http://www.hamamatsu.com)

HAMAMATSU PHOTONICS K.K., Solid State Division

1126-1 Ichino-cho, Higashi-ku, Hamamatsu City, 435-8558 Japan, Telephone: (81)53-434-3311, Fax: (81)53-434-5184

U.S.A.: HAMAMATSU CORPORATION: 360 Foothill Road, Bridgewater, NJ 08807, U.S.A., Telephone: (1)908-231-0960, Fax: (1)908-231-1218

Germany: HAMAMATSU PHOTONICS DEUTSCHLAND GMBH.: Arzbergerstr. 10, 82211 Herrsching am Ammersee, Germany, Telephone: (49)8152-375-0, Fax: (49)8152-265-8 E-mail: [info@hamamatsu.de](mailto:info@hamamatsu.de)

France: HAMAMATSU PHOTONICS FRANCE S.A.R.L.: 19 Rue du Saule Trapu, Parc du Moulin de Massy, 91882 Massy Cedex, France, Telephone: (33)1 69 53 71 00, Fax: (33)1 69 53 71 10 E-mail: [infos@hamamatsu.fr](mailto:infos@hamamatsu.fr)

United Kingdom: HAMAMATSU PHOTONICS UK LIMITED: 2 Howard Court, 10 Tewin Road, Welwyn Garden City, Hertfordshire, AL7 1BW, UK, Telephone: (44)1707-294888, Fax: (44)1707-325777 E-mail: [info@hamamatsu.co.uk](mailto:info@hamamatsu.co.uk)

North Europe: HAMAMATSU PHOTONICS NORDEN AB: Torshamnsgatan 35 16440 Kista, Sweden, Telephone: (46)8-509 031 00, Fax: (46)8-509 031 01 E-mail: [info@hamamatsu.se](mailto:info@hamamatsu.se)

Italy: HAMAMATSU PHOTONICS ITALIA S.R.L.: Strada della Moia, 1 int. 6, 20044 Arese (Milano), Italy, Telephone: (39)02-93 58 17 33, Fax: (39)02-93 58 17 41 E-mail: [info@hamamatsu.it](mailto:info@hamamatsu.it)

China: HAMAMATSU PHOTONICS (CHINA) CO., LTD.: 1201 Tower B, Jiaming Center, 27 Dongsanhuan Beilu, Chaoyang District, 100020 Beijing, P.R. China, Telephone: (86)10-6586-6006, Fax: (86)10-6586-2866 E-mail: [hpc@hamamatsu.com.cn](mailto:hpc@hamamatsu.com.cn)

Taiwan: HAMAMATSU PHOTONICS TAIWAN CO., LTD.: 8F-3, No.158, Section 2, Gongdao 5th Road, East District, Hsinchu, 300, Taiwan R.O.C. Telephone: (886)3-659-0080, Fax: (886)3-659-0081 E-mail: [info@hamamatsu.com.tw](mailto:info@hamamatsu.com.tw)